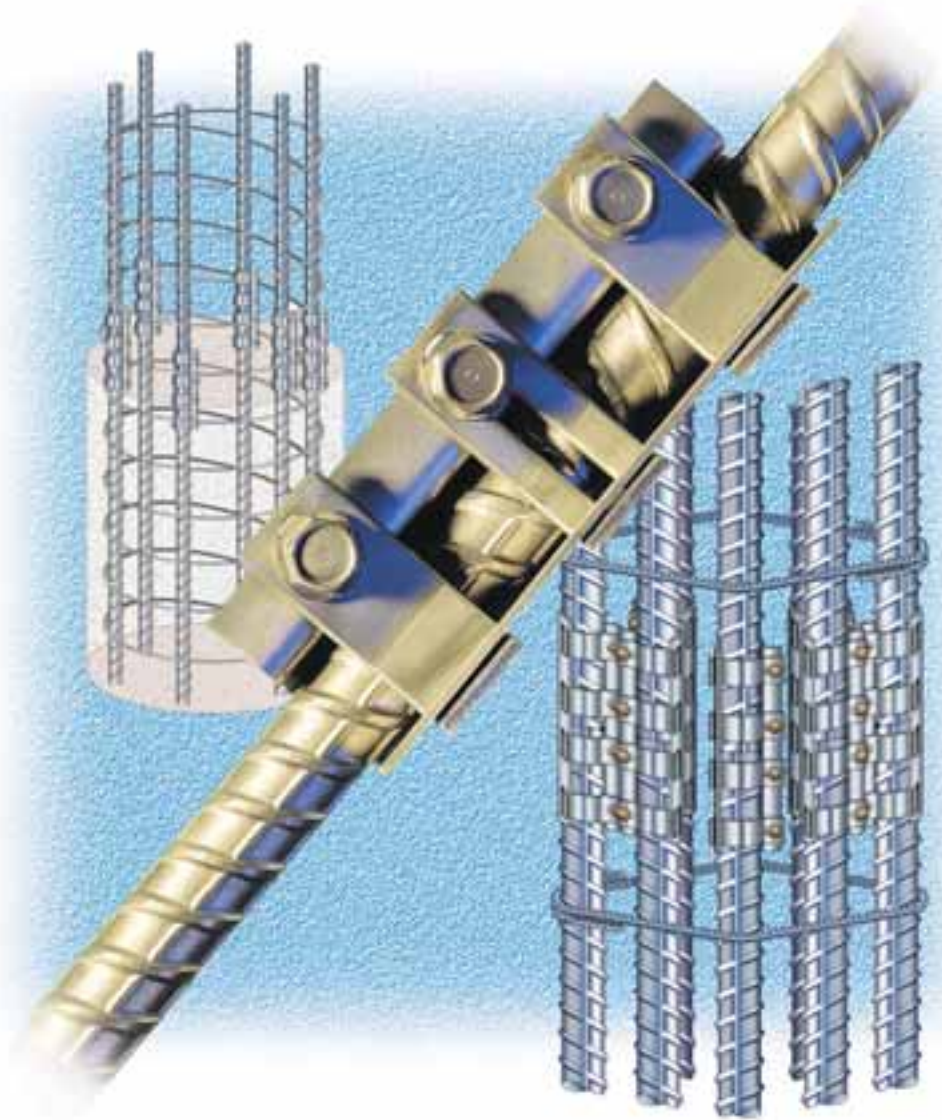


LENTON®

LENTON® SPEED SLEEVE Compression Splices



ERICO®

LENTON® SPEED SLEEVE

For Ultimate Strength In Compression

The LENTON® SPEED SLEEVE splice is a proven, quick and economical method of making compression splices for steel reinforced concrete construction projects all over the world.

LENTON SPEED SLEEVE splices comply with the requirements of many international reinforced concrete design codes such as DIN 1045, BS8110, ACI 318, AS 3600, IBC, ICC, UBC, CSA and others.

The LENTON SPEED SLEEVE is a simple and easy-to-install sleeve for holding square cut ends of bars in compression in concentric contact. The small dimensions of the sleeve generally eliminate the need for additional concrete cover on the reinforcement because the sleeve is typically thinner than the column stirrups.

LENTON SPEED SLEEVE Features:

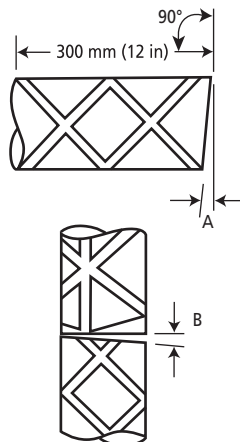
- Easy to use – Requires only a small ratchet wrench to install. A power wrench reduces installation time even further (only 14-20 ft-lb torque required [19-27 Nm]).
- Self-supporting – Requires no “tack” welding.
- Fast – Installs in seconds. Speeds the installation of prefabricated cages since the sleeve can be installed on rebar dowels without the upper bar in place. Single person installation.
- Broad applicability – Works on bundled bars. Makes transition splices with the use of a simple adapter inserts.
- Removable and reusable – Can be easily removed and reused if necessary (contact ERICO for information).
- Forgiving – Compensates for rebar size variation and out of roundness.
- Secure – Positive end bearing is maintained without depending on the weight of the rebar to keep the ends in contact. Bars are individually secured, compensating for rebar size variations.



Ø 32 mm (#10) and smaller Ø 34 mm (#11) and larger

Bar End Preparation

1. Bar ends should be prepared by saw cutting or other means to provide a reasonably flat surface. Shear cutting may be used as long as they meet these requirements:
2. The ends of the bars must be within 1-1/2 degrees of square to the long axis. In field assembly, such splices when erected must fit within 3 degrees.

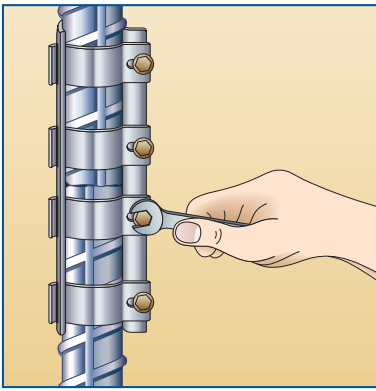


| MAXIMUM END DEVIATION AND GAP Equivalent Linear Offsets* | | |
|--|-------------------|------------------|
| Rebar Size Max. | End Deviation 'A' | Maximum Gap 'B' |
| #18; 50-57 mm | 0.06 in (1.6 mm) | 0.12 in (3.0 mm) |
| #14; 40-43 mm | 0.04 in (1.1 mm) | 0.09 in (2.2 mm) |
| #11; 34-36 mm | 0.04 in (0.9 mm) | 0.07 in (1.8 mm) |
| #10; 30-32 mm | 0.03 in (0.8 mm) | 0.07 in (1.8 mm) |
| #9; 28 mm | 0.03 in (0.7 mm) | 0.06 in (1.4 mm) |
| #8; 25 mm | 0.03 in (0.7 mm) | 0.05 in (1.3 mm) |
| #7; 22 mm | 0.02 in (0.6 mm) | 0.05 in (1.2 mm) |
| #6; 20 mm | 0.02 in (0.5 mm) | 0.04 in (1.1 mm) |

* = Tables are based on nominal bar diameters. Values are rounded
 * = Deviation and Gap based on ACI 318-08 Section 12.16.4

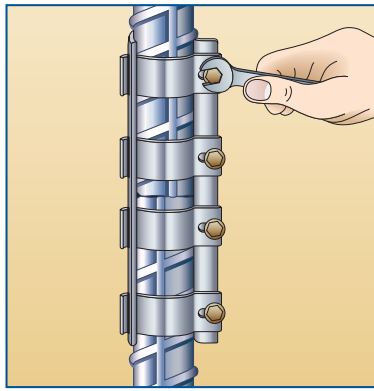
Note: Field adjustment or rotation of bar ends may be necessary to obtain a gap equal to or less than the Maximum Allowable Gap where Maximum Allowable Deviation exists on both bar ends.

Installation Procedure

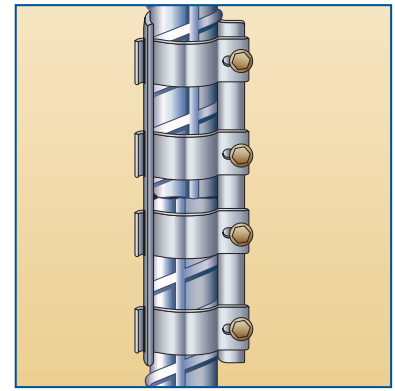


1. For rebar #11 (34 mm) and larger, place the LENTON® SPEED SLEEVE over the bar end so that the end of the bar is between the middle two straps and tighten the lower bolts.

For rebar #10 (32 mm) and smaller, place the LENTON SPEED SLEEVE over the bar end so that the end of the bar is at the slot in the center strap and tighten only the bottom bolt. If required, place the adapter insert inside the sleeve. (See information below.)



2. Insert the upper bar (and adapter inserts for transitions) so that it rests concentrically on the lower bar and tighten the upper two bolts.



3. The bolts need to be tightened only enough to cause the straps to bend. The bolts do not need to be bottomed. Visual inspection is easy. A torque wrench is not required. Tightening can be done by hand since the installation only takes 14-20 ft-lb (19-27 Nm).

LENTON® SPEED SLEEVE Ordering Information

| Inch/Lb. | Bar Size Metric | Canadian Metric | Article Number | Part Number | Packing Unit |
|--|--------------------|-----------------|-------------------|----------------|-----------------|
| #6 | 20 mm | 20 M | 145495 | RBW2686** | 20 |
| #7 | 22 mm | — | 145500 | RBW2687 | 20 |
| #8 | 25 mm | 25 M | 145510 | RBW2688 | 20 |
| #9 | 28 mm | — | 145520 | RBW2689 | 20 |
| — | 30 mm | — | 145530 | — | 20 |
| #10 | 32 mm | 30 M | 145535 | RBW26810 | 20 |
| #11 | 34, 36 mm | 35 M | 145540 | RBW26811 | 20 |
| — | 40 mm | — | 145550 | — | 10 |
| #14 | 43 mm | 45 M | — | RBW26814 | 10 |
| — | 50 mm | — | 145555 | — | 10 |
| #18 | 57 mm | 55 M | 145560 | RBW26818 | 10 |
| Ratchet Wrench (Sizes: 22, 30, 34-36, 57)* | | | 145570 | RBW402 | 1 |

| To Splice Bar Sizes Inch/Lb. | Bar Size | | Use LENTON SPEED SLEEVE | | Use Adapter Insert | | No. Inserts Required Per Splice | Inserts Per Pkg.*** |
|---------------------------------|-------------|--------------------|-------------------------|----------------|--------------------|----------------|---------------------------------------|------------------------|
| | Metric | Canadian Metric | Article Number | Part Number | Article Number | Part Number | | |
| #8 to #7 | 25 to 22 mm | — | 145510 | RBW2688 | — | RBW3997 | 1 | 20 |
| #9 to #8 | 28 to 25 mm | — | 145520 | RBW2689 | — | RBW3998 | 1 | 20 |
| #10 to #9 | 32 to 28 mm | — | 145535 | RBW26810 | 145565 | RBW3999 | 1 | 20 |
| #11 to #10 | 36 to 32 mm | 35 M to 30 M | — | RBW26811 | — | RBW39910 | 1 | 20 |
| #14 to #11 | 43 to 36 mm | 45 M to 35 M | — | RBW26814 | — | RBW39911 | 2 | 20 |
| #18 to #14 | 57 to 43 mm | 55 M to 45 M | 145560 | RBW26818 | — | RBW39914 | 2 | 20 |

Please contact ERICO for more information regarding transition splices.

* Other LENTON SPEED SLEEVE sizes may contain metric bolts and can be tightened with standard metric tooling.

** #6 LENTON SPEED SLEEVE is not a stock item in North and South America. Call ERICO for availability.

*** Only complete packages shipped.

How To Specify

By Name: For compression-only splices, specify LENTON SPEED SLEEVE Compression-Only Splices.

By Generic Description: On jobs requiring a generic description (usually government specifications prohibit the use of a proprietary name), use the following description: Type of splice required is bolted sleeve to hold square-cut rebar ends in concentric contact for transmission of compression strength.

ERICO®



www.erico.com



AUSTRALIA
Phone +61-2-9751-8500
Fax +61-2-9475-5334



CHINA
Phone +86-21-3430-4878
Fax +86-21-5831-8177



HUNGARY
Phone +068-00-165-38
Fax +31-13-583-5499



NORWAY
Phone +800-100-73
Fax +800-100-66



SWITZERLAND
Phone +0800-558-697
Fax +0800-559-615



BELGIUM
Phone +0800-757-48
Fax +0800-757-60



DENMARK
Phone +808-89-373
Fax +808-89-372



INDONESIA
Phone +62-21-575-0941
Fax +62-21-575-0942



POLAND
Phone +48-71-374-4022
Fax +48-71-374-4043



THAILAND
Phone +66-2-267-5776
Fax +66-2-636-6988



BRAZIL
Phone +55-11-3623-4333
Fax +55-11-3621-4066



FRANCE
Phone +33-4-77-365-656
Fax +33-4-77-553-789



ITALY
Phone +39-02-8474-2250
Fax +39-02-8474-2251



SINGAPORE
Phone +65-6-268-3433
Fax +65-6-268-1389



UNITED ARAB EMIRATES
Phone +971-4-881-7250
Fax +971-4-881-7270



CANADA
Phone +1-800-677-9089
Fax +1-800-677-8131



GERMANY
Phone +0-800-189-0272
Fax +0-800-189-0274



MEXICO
Phone +52-55-5260-5991
Fax +52-55-5260-3310



SPAIN
Phone +34-93-467-7726
Fax +34-93-467-7725



UNITED KINGDOM
Phone +0808-2344-670
Fax +0808-2344-676



CHILE
Phone +56-2-370-2908
Fax +56-2-370-2914



HONG KONG
Phone +852-2764-8808
Fax +852-2764-4486



NETHERLANDS
Phone +31-13-583-5400
Fax +31-13-583-5499



SWEDEN
Phone +0207-909-08
Fax +0207-989-64



UNITED STATES
Phone +1-440-248-0100
Fax +1-440-248-0723

WARNING

ERICO products shall be installed and used only as indicated in ERICO's product instruction sheets and training materials. Instruction sheets are available at www.erico.com and from your ERICO customer service representative. Improper installation, misuse, misapplication or other failure to completely follow ERICO's instructions and warnings may cause product malfunction, property damage, serious bodily injury and death.

WARRANTY

ERICO products are warranted to be free from defects in material and workmanship at the time of shipment. NO OTHER WARRANTY, WHETHER EXPRESS OR IMPLIED (INCLUDING ANY WARRANTY OF MERCHANTABILITY OR FITNESS FOR A PARTICULAR PURPOSE), SHALL EXIST IN CONNECTION WITH THE SALE OR USE OF ANY ERICO PRODUCTS. Claims for errors, shortages, defects or nonconformities ascertainable upon inspection must be made in writing within 5 days after Buyer's receipt of products. All other claims must be made in writing to ERICO within 6 months from the date of shipment or transport. Products claimed to be nonconforming or defective must, upon ERICO's prior written approval in accordance with its standard terms and procedures governing returns, promptly be returned to ERICO for inspection. Claims not made as provided above and within the applicable time period will be barred. ERICO shall in no event be responsible if the products have not been stored or used in accordance with its specifications and recommended procedures. ERICO will, at its option, either repair or replace nonconforming or defective products for which it is responsible or return the purchase price to the Buyer. THE FOREGOING STATES BUYER'S EXCLUSIVE REMEDY FOR ANY BREACH OF ERICO WARRANTY AND FOR ANY CLAIM, WHETHER SOUNDING IN CONTRACT, TORT OR NEGLIGENCE, FOR LOSS OR INJURY CAUSED BY THE SALE OR USE OF ANY PRODUCT.

LIMITATION OF LIABILITY

ERICO excludes all liability except such liability that is directly attributable to the willful or gross negligence of ERICO's employees. Should ERICO be held liable its liability shall in no event exceed the total purchase price under the contract. ERICO SHALL IN NO EVENT BE RESPONSIBLE FOR ANY LOSS OF BUSINESS OR PROFITS, DOWNTIME OR DELAY, LABOR, REPAIR OR MATERIAL COSTS OR ANY SIMILAR OR DISSIMILAR CONSEQUENTIAL LOSS OR DAMAGE INCURRED BY BUYER.

Copyright ©2008 ERICO International Corporation. All rights reserved.

CADDY, CADWELD, CRITEC, ERICO, ERIFLEX, ERITECH, and LENTON are registered trademarks of ERICO International Corporation.