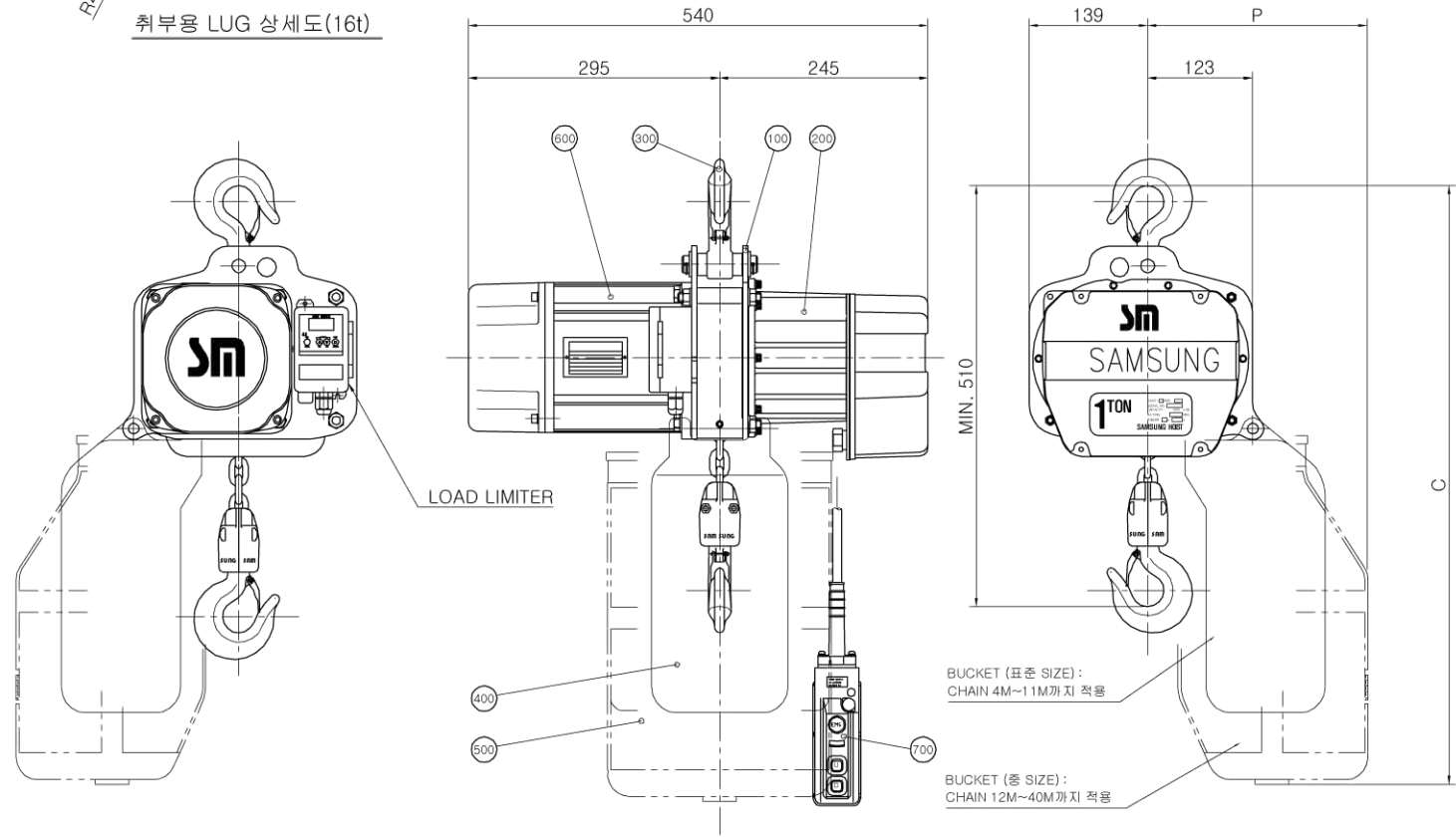
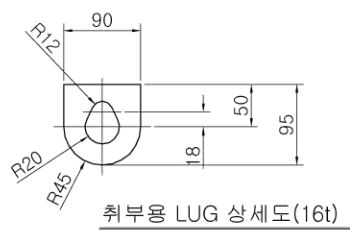


△				
---	--	--	--	--



SPECIFICATION	
HOISTING LOAD	1 TON
TESTING LOAD	1.25 TON
LIFTING HEIGHT	Min. 3 M ~ Max 40 M
HOISTING	SPEED 7 M/MIN
	MOTOR 1.5 Kw x 4 P
POWER SUPPLY	3Φ-220,380,440,460,480V-60Hz
CONTROLL VOLTAGE	1Φ-48,110V-60Hz
OPERATING METHOD	PUSH BUTTON TYPE
LOAD CHAIN SPEC.	Φ7.1 x 21P x 1 FALL
RATING	30 MIN.
NET WEIGHT	APPROX Min. 67KG~Max. 96KG

DIMENSIONS					
구분	양정(LIFT)				
	3M-11M	12M-16M	17M-20M	21M-30M	31M-40M
기호					
P	210	210	245	245	270
C	615	800	960	1050	1150

MODEL : SMO-S1000

NO.	DESCRIPTION	MAT'L	SIZE	Q'TY	REMARK
700	ELEC. ASS'Y			1	
600	HOIST MOTOR ASS'Y			1	
500	BUCKET ASS'Y			1	
400	BOTTOM HOOK ASS'Y			1	
300	TOP HOOK ASS'Y			1	
200	GEAR BOX ASS'Y			1	
100	CENTER FRAME ASS'Y			1	

	TITLE OF PROJECT 1TON SUSPENSION SINGLE TYPE (LIFT : 3M~40M)			SCALE 1/1	DWG. NO.
	ELEC. CHAIN HOIST GENERAL ASSEMBLY			DATE 2005.7.20	
DRAWN S.M.YOO	CHECKED S.S.CH	DESIGNED S.S.CH	APPROVED S.S.CH	MM INCH	