

REV	DATE	REASON FOR REVISION	CHECKER BY	APPRD BY
△				

SPECIFICATION

HOISTING LOAD	1 TON	
TESTING LOAD	1.25 TON	
LIFTING HEIGHT	Min. 3 M ~ Max 30 M	
HOISTING	SPEED	7 M/MIN
	MOTOR	1.5 Kw x 4 P
	SPEED	7/3.5 M/MIN
DUAL	MOTOR	1.5/0.75 Kw x 4/8 P
	SPEED	20 M/MIN
	MOTOR	0.4 Kw x 4 P
FAST	SPEED	13.3 M/MIN
	MOTOR	0.27 Kw x 6 P
	SPEED	10 M/MIN
MIDDLE	MOTOR	0.2 Kw x 8 P
	SPEED	20/10 M/MIN
	MOTOR	0.4/0.2 Kw x 4/8 P
SLOW	MOTOR	
	SPEED	
	MOTOR	
DUAL	MOTOR	
	SPEED	
	MOTOR	

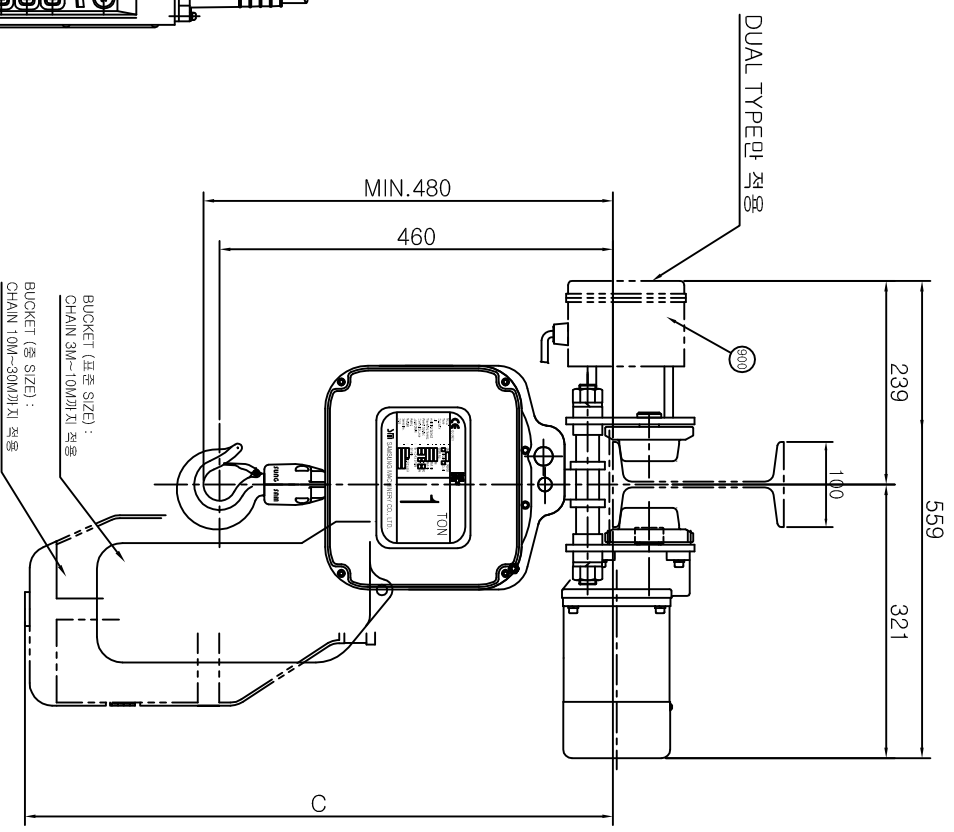
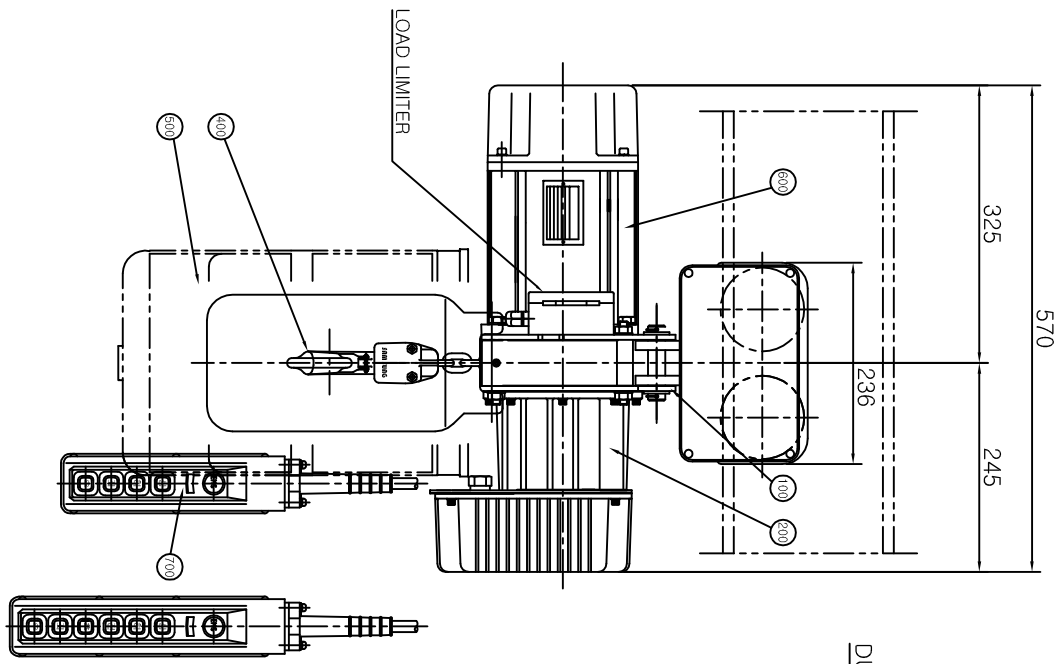
POWER SUPPLY	3Φ-220,380,440,460,480V-60Hz 1Φ-220V-60Hz
CONTROL VOLTAGE	1Φ-48,110V-60Hz
OPERATING METHOD	PUSH BUTTON TYPE
LOAD CHAIN SPEC.	φ7.1 x 21P x 1 FALL
WIDTH OF BEAM	100~150
RADIUS OF BEAM	MIN. 1500 mm
RATING	30 MIN.
NET WEIGHT	APPROX Min.84.4KG~Max.193KG

구분		DIMENSIONS	
기호	상정(단위)	3M~10M	10M~30M
C	620	720	

MODEL : SMT-1000

800	TROLLEY ASS'Y	1	
700	ELEC. ASS'Y	1	
600	HOIST MOTOR ASS'Y	1	
500	BUCKET ASS'Y	1	
400	BOTTOM HOOK ASS'Y	1	
200	GEAR BOX ASS'Y	1	
100	CENTER FRAME ASS'Y	1	

NO.	DESCRIPTION	MATL	SIZE	QTY	REMARKS
800	TROLLEY ASS'Y			1	
700	ELEC. ASS'Y			1	
600	HOIST MOTOR ASS'Y			1	
500	BUCKET ASS'Y			1	
400	BOTTOM HOOK ASS'Y			1	
200	GEAR BOX ASS'Y			1	
100	CENTER FRAME ASS'Y			1	



TITLE OF PROJECT 1 TON MOTOR TROLLEY TYPE (LIFT : 3M~30M)
ELEC. CHAIN HOIST GENERAL ASSEMBLY

DRAWING NO. SMT-1000
SCALE 1/1
DATE 2010.08.27
CHECKER 전승원

