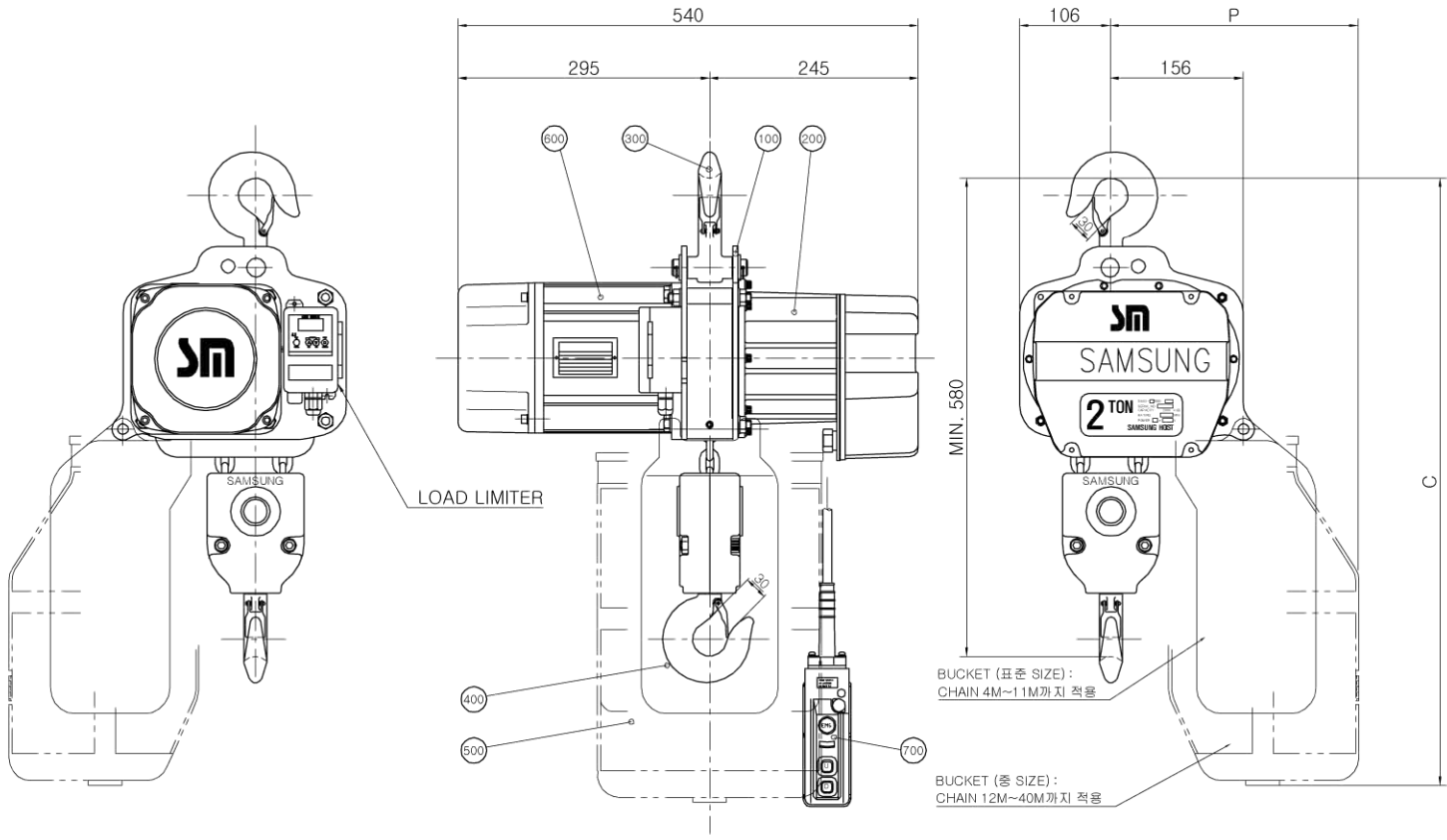


△				
---	--	--	--	--



SPECIFICATION		
HOISTING LOAD	2 TON	
TESTING LOAD	2.5 TON	
LIFTING HEIGHT	Min. 3 M ~ Max 40 M	
HOISTING	SPEED	3.5 M/MIN
	MOTOR	1.5 Kw x 4 P
POWER SUPPLY	3Φ-220,380,440,460,480V-60Hz	
CONTROLL VOLTAGE	1Φ-48,110V-60Hz	
OPERATING METHOD	PUSH BUTTON TYPE	
LOAD CHAIN SPEC.	Φ7.1 x 21P x 2 FALL	
RATING	30 MIN.	
NET WEIGHT	APPROX Min. 67KG~Max. 96KG	

DIMENSIONS					
구분 기호	양정(LIFT)				
	3M~11M	12M~16M	17M~20M	21M~30M	31M~40M
P	250	265	280	280	300
C	615	800	960	1050	1150

MODEL : SMO-S2000

NO.	DESCRIPTION	MAT'L	SIZE	Q'TY	REMARK
700	ELEC. ASS'Y			1	
600	HOIST MOTOR ASS'Y			1	
500	BUCKET ASS'Y			1	
400	BOTTOM HOOK ASS'Y			1	
300	TOP HOOK ASS'Y			1	
200	GEAR BOX ASS'Y			1	
100	CENTER FRAME ASS'Y			1	

	TITLE OF PROJECT		2 TON SUSPENSION SINGLE TYPE (LIFT : 3M~40M)	
	ELEC. CHAIN HOIST GENERAL ASSEMBLY			
DRAWN	CHECKED		SCALE	DWG. NO.
S.M.YOO	S.S.CH		1/1	
DESIGNED	APPROVED	MM INCH	DATE	
S.S.CH	S.S.CH		2005.7.20	